



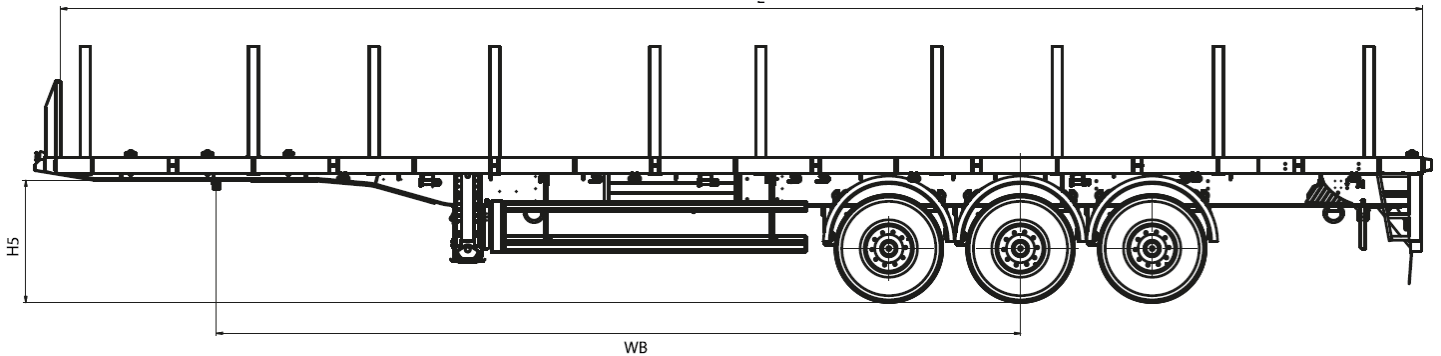
# K. SPW SR HIGH PERFORMANCE PLATFORM BY KÄSSBOHRER

Kässbohrer's new high-performance platform, K.SPW SR stands out with its robustness and durability with its KTL coated chassis made of high quality steel.

For enhanced load securing, K.SPW SR is equipped with 5 x 2 units of pillar pockets and 28 x 2 units of lashing hooks. K.SPW SR's detachable KTL coated 750 mm front panel brings you the flexibility and the efficiency you need in your daily operations.



## SPECIFICATIONS



### TECHNICAL INFORMATION

<b>Chassis</b>	Made of high quality and high strength steel, in compliance with Standard ISO 1726-2 and ISO 1726; made of two welded longitudinal beams in "I" form with cross beams at needed distances. Chassis has 2 king-pin position. Reinforced with KTL protection with Kässbohrer expertise (10 years warranty for perforation)
<b>Brake System</b>	Antilocking (ABS) and rolling control system suitable for UN ECE R13 regulation. EBS 2S / 2M braking system of WABCO brand with electro-pneumatic dual-circuit that contains power supply (RSS) and voltage supply (24N) through brake light
<b>Tyre Size</b>	385/65 R22.5
<b>Axles</b>	BPW air suspension and drum brake axle with 3x9 ton capacity
<b>Electric System</b>	Aspöck Europoint III lightning installation with 24V LED side position lamp and 2 x 7 and 1 x 15 pin sockets, in compliance with Regulation UN ECE R48 and ADR Legislation
<b>Floor</b>	Hardwood coated, 30mm thick and water resistant Hardwood flooring that can support 5.400 kg forklift axle load in compliance with DIN EN 283
<b>Front Panel Type</b>	750 mm height, removable, high strength steel, KTL covered sheet front panel with rollform shaped
<b>Pillars and Pockets</b>	5 x 2 units 83 mm x 83 mm Vertical plug on side rave + 10 units of 750 mm pillars

### TECHNICAL DATA

<b>Fifth Wheel Height (H5)</b>	1.250 mm
<b>Gooseneck (NH)</b>	230 mm
<b>Wheelbase (WB)</b>	8.000 mm
<b>External Length (L)</b>	13.900 mm
<b>Tare Weight ±%3</b>	6.650 kg

### TECHNICAL CAPACITIES

<b>King Pin Capacity</b>	15.000 kg
<b>Axle Load</b>	27.000 kg
<b>Gross Weight</b>	42.000 kg

### ENHANCED FEATURES

#### Product Range

For different customer needs, Kässbohrer platform product family includes extendable, non-extendable and heavy-duty platform semi-trailers adaptable to standard and mega trucks

#### Load Security Systems

- 5 x 2 units of 83 mm x 83 mm pillar pockets on the side rave
- 5 x 2 units of 750 mm pillars and storage under the chassis
- 750 mm detachable KTL coated steel front panel
- 28 x 2 lashing hooks under the side rave
- 1.500 mm KTL coated steel front panel
- 5 x 2 units of container locks to carry 2 x 20 ft, 1 x 30 ft, 1 x 40 ft containers
- 8 x 2 units of container locks to carry 2 x 20 ft, 1 x 20 ft in the middle, 1 x 30 ft, 1 x 40 ft containers

#### Certificates

Load Security Certificate EN 12642 Code XL is available with 1.500 mm front panel

#### Optional Security Applications

- 5 x 2 units of 83 mm x 83 mm pillar pockets on the side rave
- 10 x 2 units of pillars between 1.500 mm 2.350 mm height (80 mm x 80 mm)
- 4 x 2 units of ferry rings in compliance with EN 29367-2

#### Wide Range of Options

Semi-trailer can be equipped with options such as;

- BPW disc brakes
- 1<sup>st</sup> axle lifting
- Hubodometer
- Spare wheel and holder
- Pvc tool box
- Document box

**Kässbohrer semi-trailers are manufactured according to lean production and quality principles in consideration of total cost of ownership.**

*Kässbohrer reserves the right to alter the product specification. Visual and technical data subject to change according to vehicle configuration.*

#### Kässbohrer Sales GmbH

**Werk Ulm** | Im Katzenwinkel 5, 88480 Achstetten, Deutschland | T +49 (0) 7392 96797-0 | F +49 (0) 7392 96797-67

**Werk Goch** | Siemensstraße 74, 47574 Deutschland | T +49 (0) 2823 9721-0 | F +49 (0) 2823 9721-21 | E info@kaessbohrer.com | [www.kaessbohrer.com](http://www.kaessbohrer.com)